

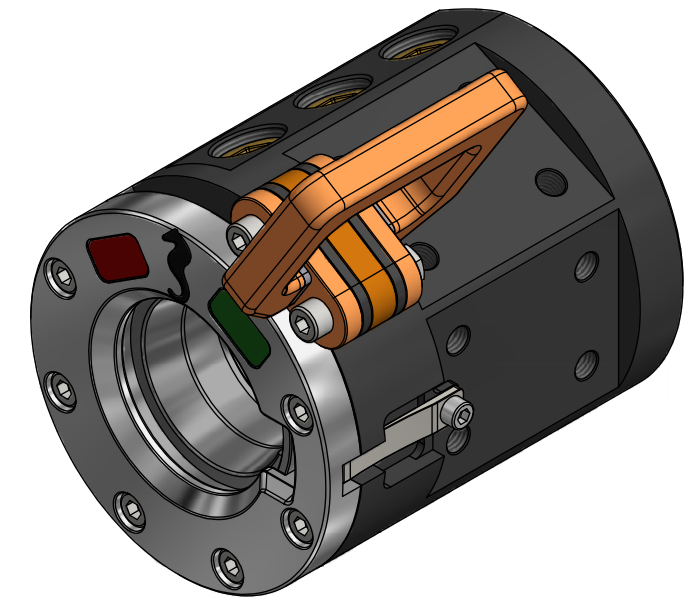
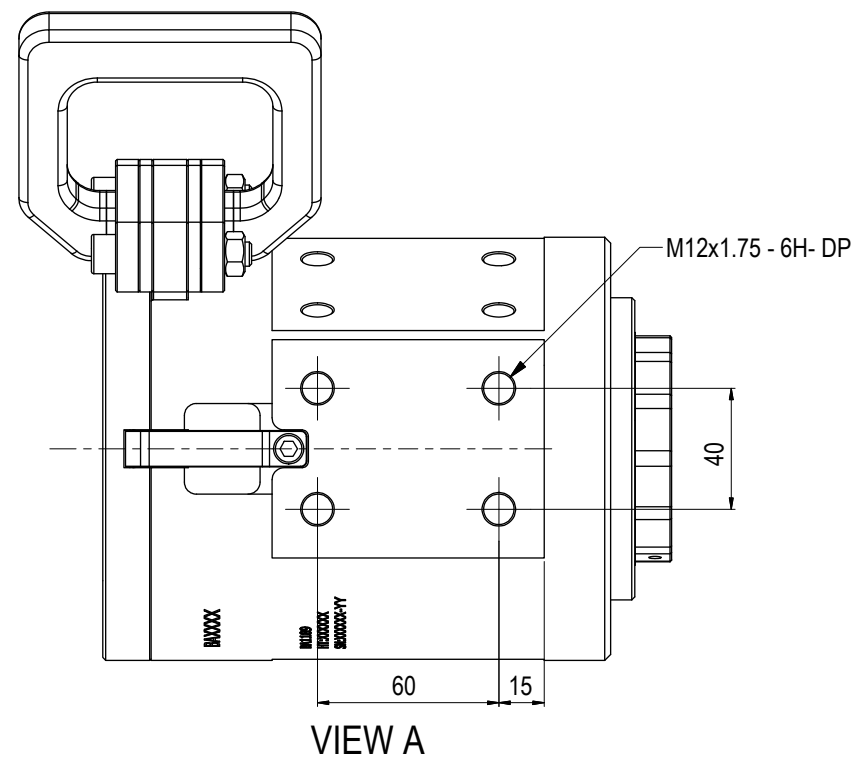
NOTE: 1  
DESIGN CODE:  
NS-EN 13445

NOTE: 2  
TECHNICAL CLASSIFICATION:  
Article Type: 003-Valve Stabs  
Main Group: 3.04. Ø60-Valvestab  
Intermediate Group: 3.34.2. Receptacle  
Sub Group: 3.34.75.3. Triple

NOTE: 3  
INTERFACE INFORMATION:  
Pressure Rating Bar: 250  
Material: Intervention  
Weight: 8,7 kg  
Volume: 1973,7 cm<sup>3</sup>  
Surface Area: 3820 cm<sup>2</sup>  
Hydraulic: 2x3/4" BSP - 1x1/2" BSP  
Mechanical: N/A  
Electrical: N/A  
Com. & Protocol: N/A

NOTE: 4  
SPAREPARTS:  
BA5271

NOTE: 5  
ADDITIONAL INFORMATION:  
Usermanual: 600134-TD-0004



08	15.8.2016	9-IFU (Issued for Use)		WTJ	LGH	WTJ
07	10.2.2016	9-IFU (Issued for Use)		WTJ	HNJ	WTJ
06	24.9.2015	9-IFU (Issued for Use)		HNJ	WTJ	HNJ
05	20.6.2014	9-IFU (Issued for Use)		WTJ	HNJ	WTJ
Rev.	Date	Reason for issue	Revision change	Made	Chk'd	Appr.

**BLUE LOGIC**

Dwg Scale:  
NTS  
Dwg Proj:  
Dwg Format:  
A3

Drawing title:  
Ø60 TP VStab Rec 250Bar Interv Man BSP 3/4"-1/2"

Drawing number:  
BA1121

Rev:  
08