

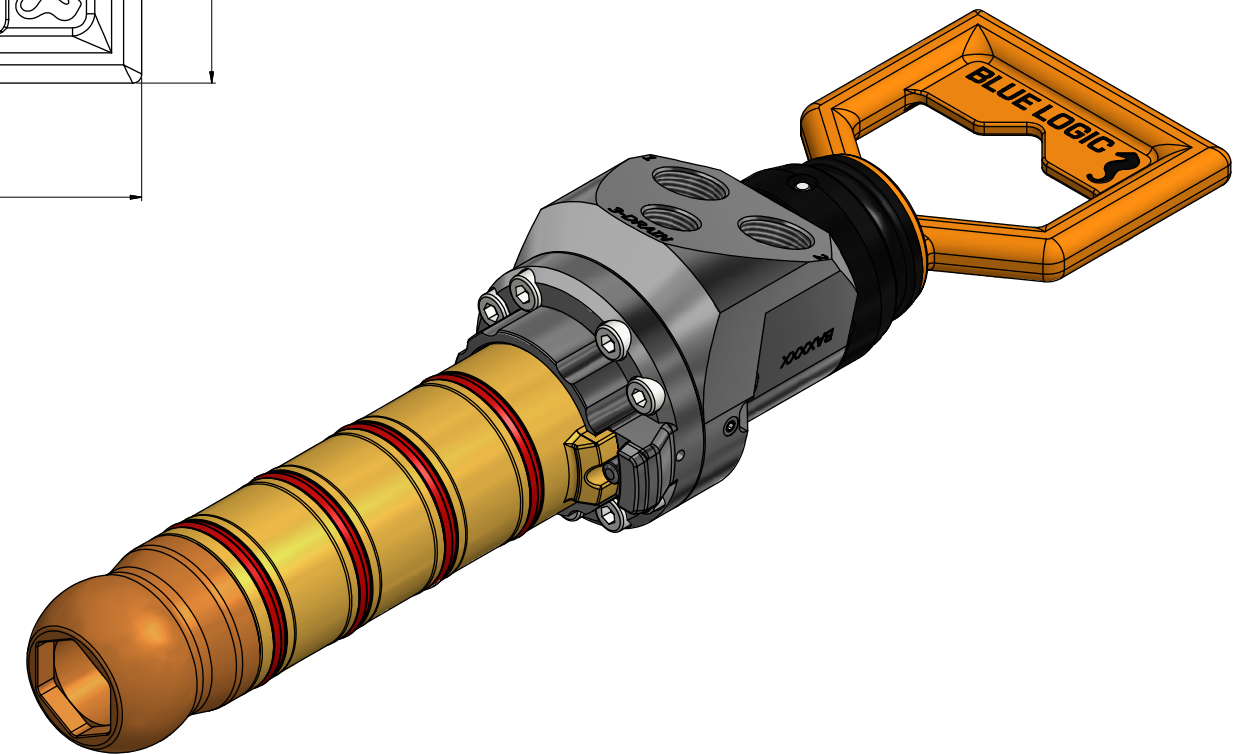
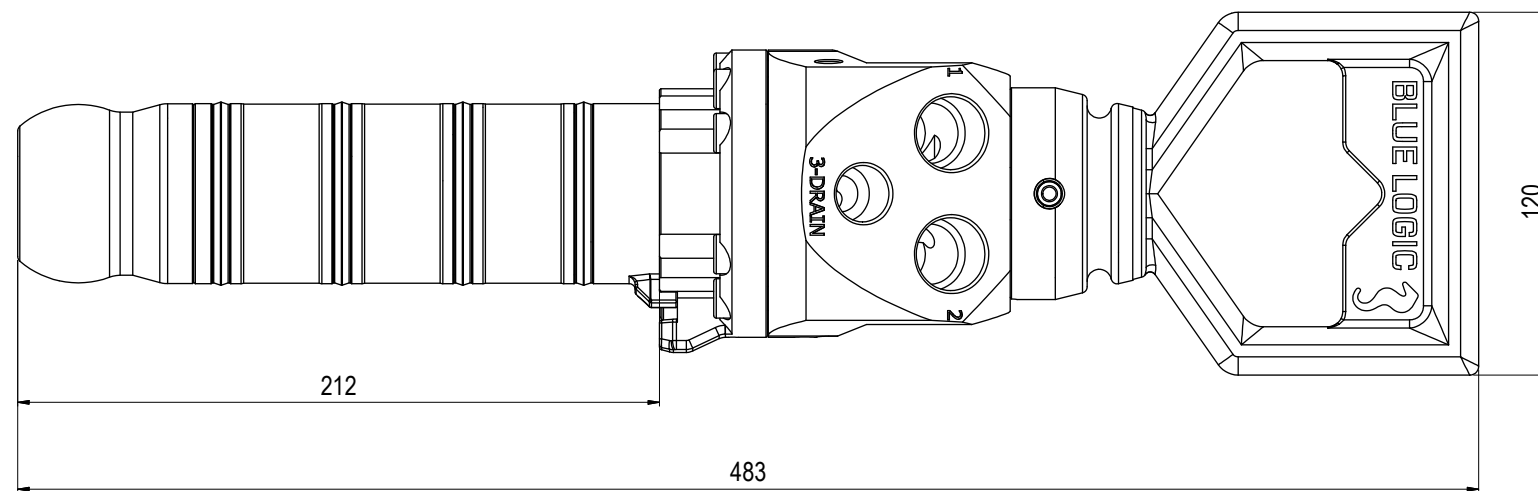
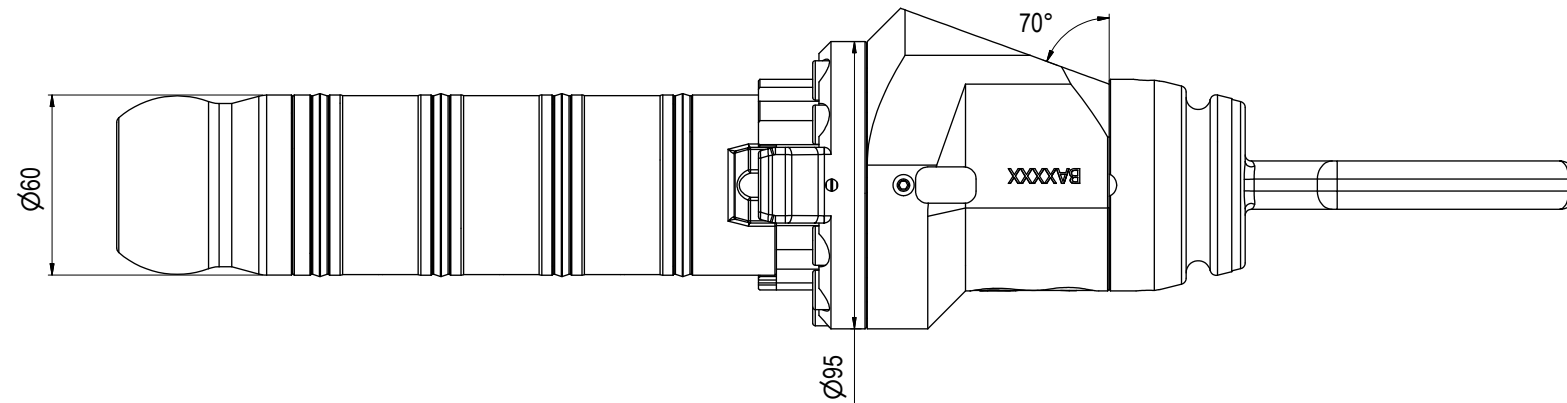
NOTE: 1
 DESIGN CODE:
 NS-EN 13445

NOTE: 2
 TECHNICAL CLASSIFICATION:
 Article Type: 003-Valve Stabs
 Main Group: 3.04. Ø60-Valvestab
 Intermediate Group: 3.34.1. Stab
 Sub Group: 3.34.74.3. Triple

NOTE: 3
 INTERFACE INFORMATION:
 Pressure Rating Bar: 250
 Material: Intervention
 Weight: 9,326 kg
 Volume: 1,295 dm³
 Surface Area: 3281,138 cm²
 Hydraulic: 2x3/4" BSP - 1x 1/2" BSP
 Mechanical: N/A
 Electrical: N/A
 Com. & Protocol: N/A

NOTE: 4
 SPAREPARTS:
 BA5272

NOTE: 5
 ADDITIONAL INFORMATION:
 Usermanual: 600134-TD-0004



Rev.	Date	Reason for issue	Revision change	Made	Chk'd	Appr.
05	20.6.2014	9-IFU (Issued for Use)		WTJ	HNJ	WTJ
04	11.3.2013	7-IFC (Issued for Construction)		HNJ	TBA	HNJ
03	7.12.2011	3-IFI (Issued for Information)		LGH	NA	NA

BLUE LOGIC

Dwg Scale:
 NTS
 Dwg Proj:

 Dwg Format:
 A3

Drawing title:
 Ø60 TP VStab 250Bar Interv 70deg BSP 3/4"-1/2"

Drawing number:
 BA1135

Rev.
 05